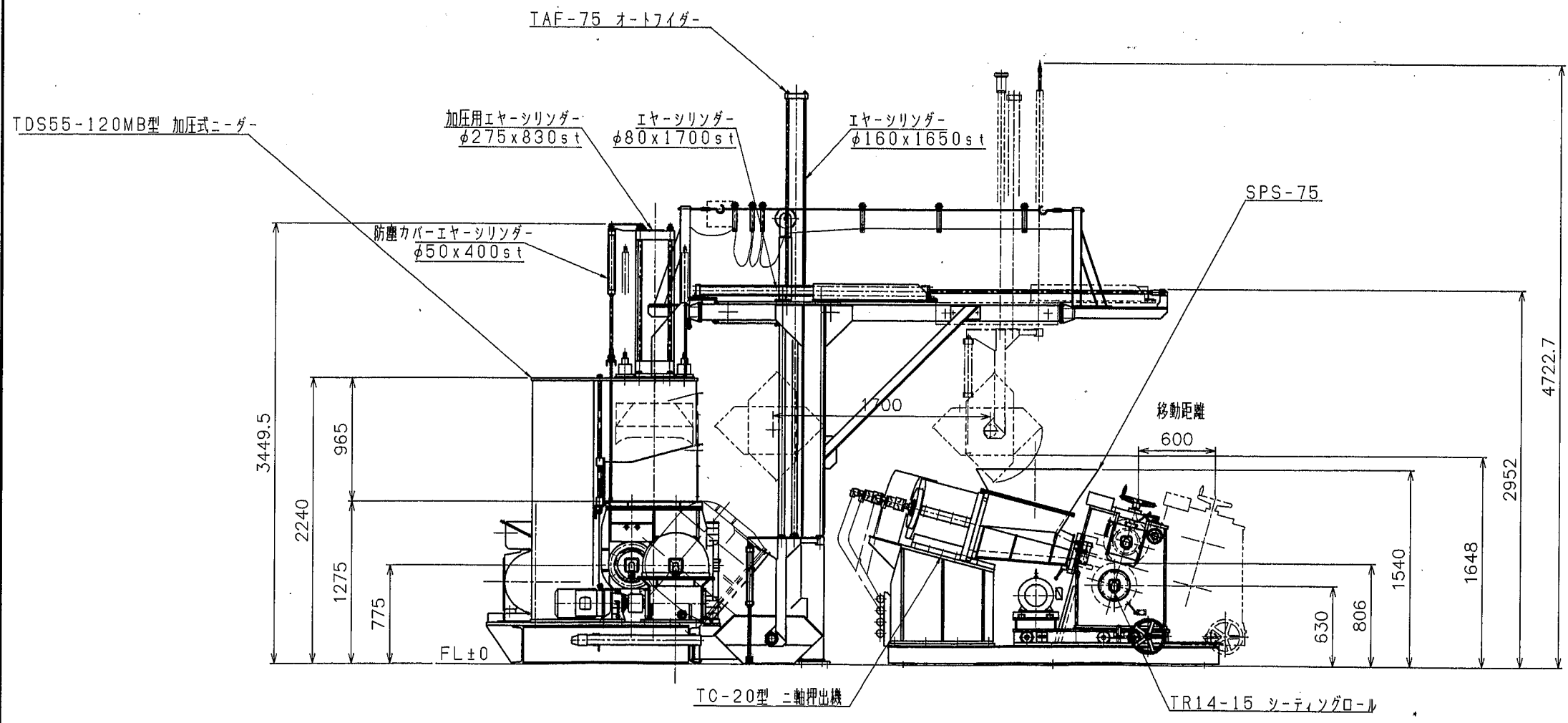
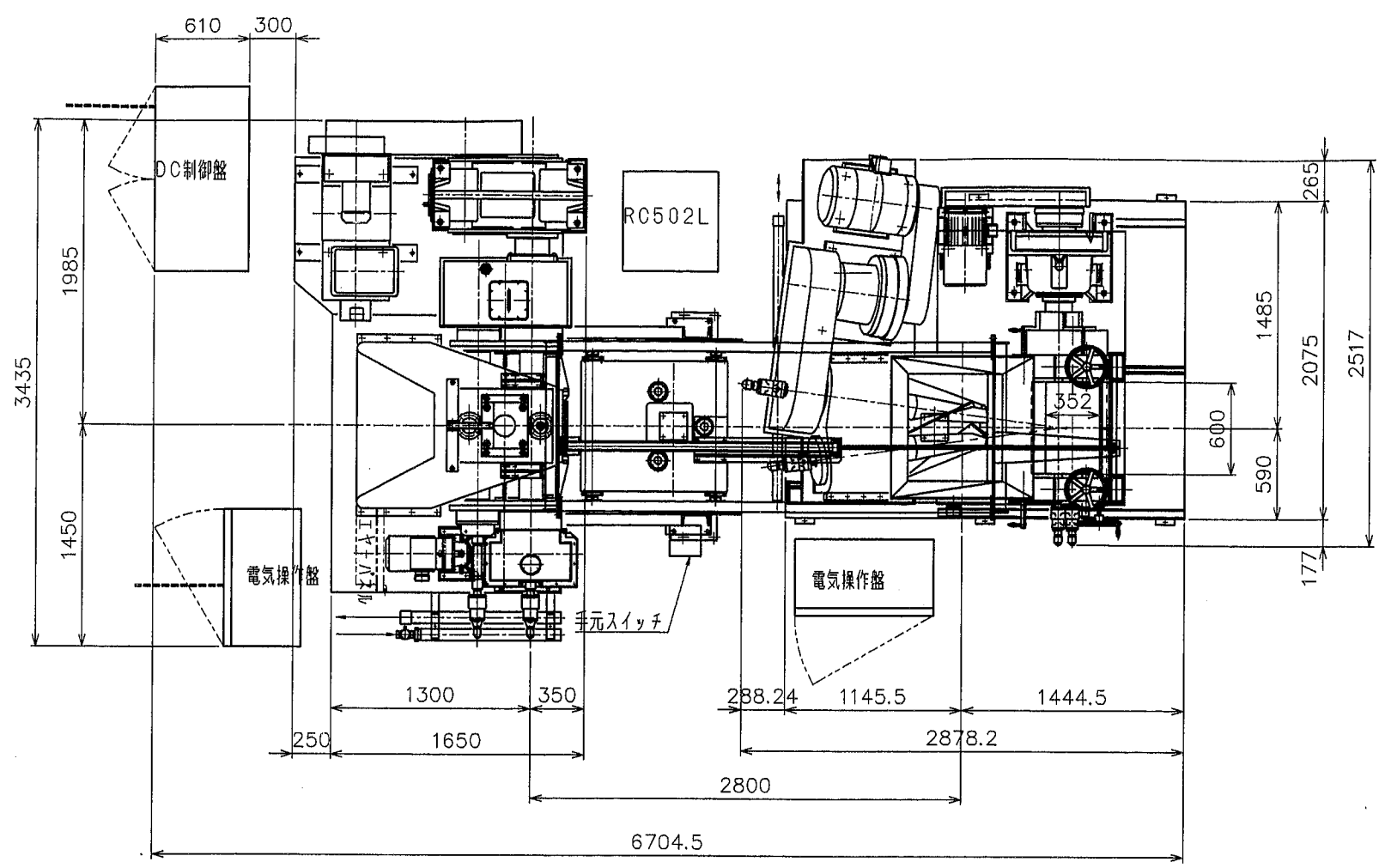


| REVISIONS |  |
|-----------|--|
| △         |  |
| △         |  |
| △         |  |



| NO.                 | NAME OF PARTS | Q'TY        | REMARKS     |
|---------------------|---------------|-------------|-------------|
| MACHINE TYPE & ITEM |               |             |             |
| シート製造装置             |               |             |             |
| レイアウト図              |               |             |             |
| APPROVED BY         | DRAWN BY      | SCALE       |             |
|                     | 段本            | 1:30        |             |
| DESIGNED BY         | CHECKED BY    | DATE        |             |
|                     |               | 2003年11月11日 |             |
|                     |               |             | DRAWING NO. |
| TOSHIN CO.,LTD.     |               |             | T-11758     |